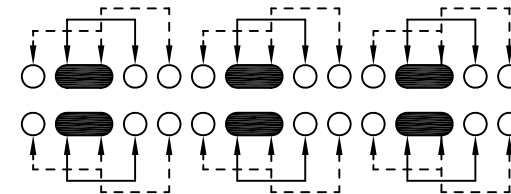
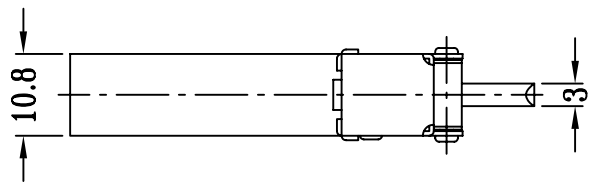
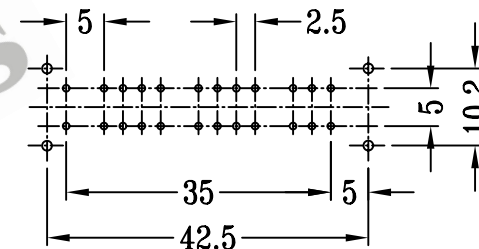
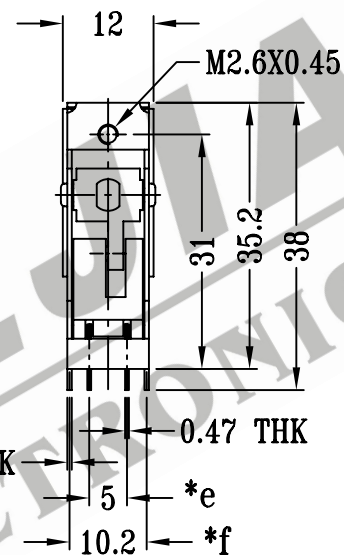
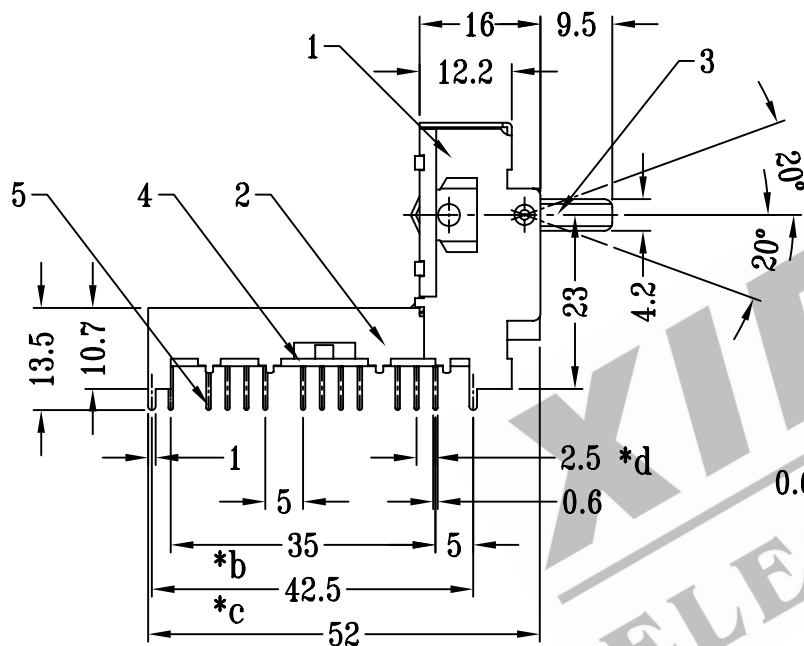


CAD FILE:



SCHMATIC (SHORTING)



P.C.B LAYOUT

10	CONTACT CLIP	PBS STRIP	6	Ag PLATED
9	SPRING	STEEL WIRE	1	TEMPER
8	RIVET	COPPER	1	Ni PLATED
7	BAR	POM	1	BLACK
6	SLIDER	POM	1	BLACK
5	TERMINAL	BRASS STRIP	24	Ag PLATED OVER Ni PLATED
4	BASE	PHENOLIC RESIN	1	NATURAL
3	KNOB	POM	1	BLACK
2	COVER	STEEL STRIP	1	Ni PLATED
1	FRAME	STEEL STRIP	1	Ni PLATED
NO.	PART NAME	MATERIAL	Q'TY	FINISHING

注:带*表示关键尺寸(3个)

TOLERANCE UNLESS SPECIFIED		SHENZHEN XIEJIA ELECTRONICS CO.,LTD.			
WITHIN: 1.5±0.1mm		ISSUE	DATE	DESCRIPTIONS	
OVER: 1.5±0.2mm				APPD.	
TITLE: TOGGLE SWITCH		UNIT: MM	DRWG NO.: XJ-DR-TS63E03-00		
MODEL: TS-63E03		SCALE: 1:1	DWN.	ZHOUYU	2002-8-23
ALL MATERIALS MUST BE COMPLIANT TO ROHS			CHK'D	FANGYING	2002-8-23
			APPD.	KANGXINAN	2002-8-23